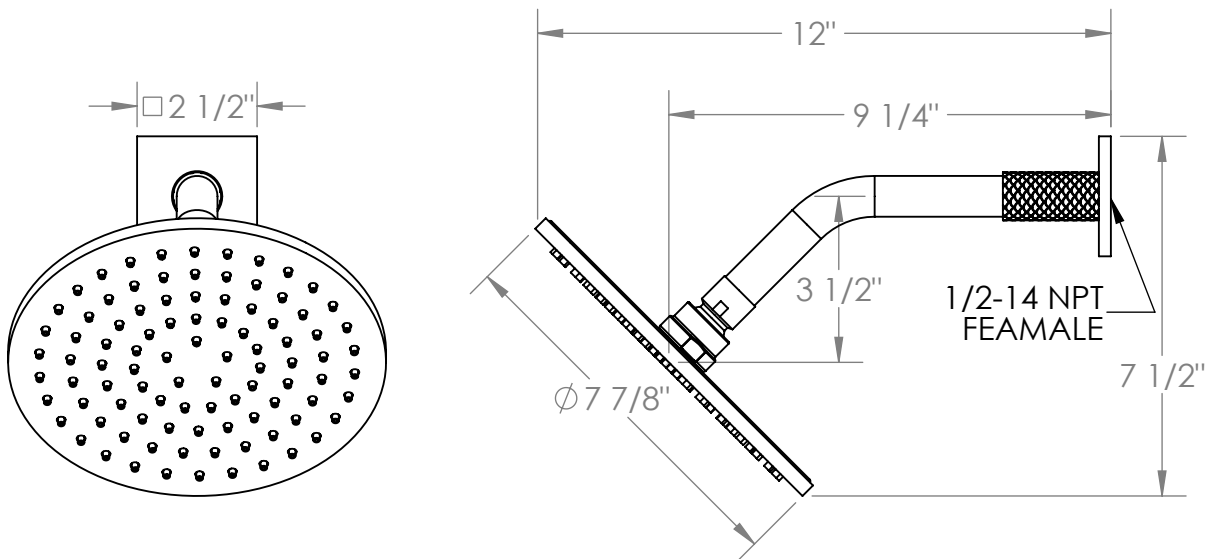


71-HAF-LLO6

Shower Head, Arm and Flange

Flow Rate: 1.75 GPM

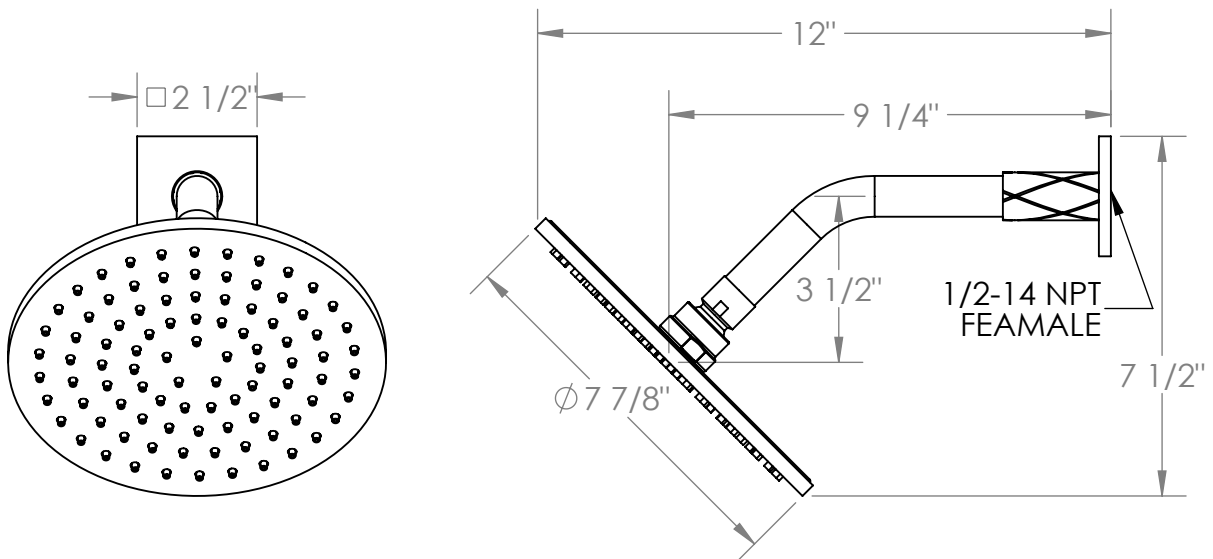


Meets the applicable requirements of ASME A112.18.1-2005/CSA B125.1-05, entitled "Plumbing Supply Fittings"

71-HAF-LLD4

Shower Head, Arm and Flange

Flow Rate: 1.75 GPM

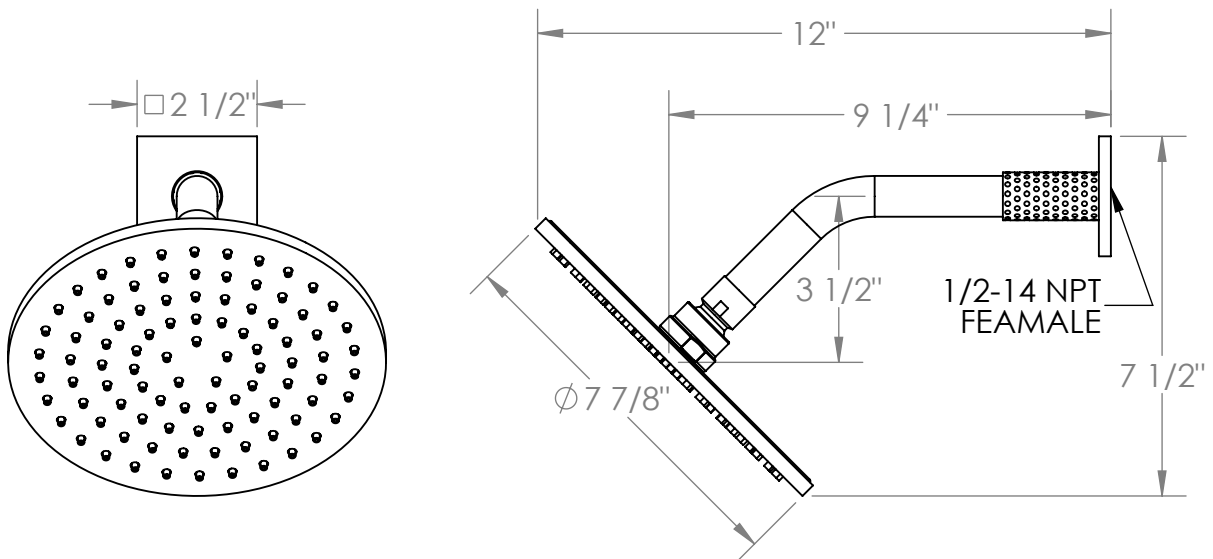


Meets the applicable requirements of ASME A112.18.1-2005/CSA B125.1-05, entitled "Plumbing Supply Fittings"

71-HAF-LLP5

Shower Head, Arm and Flange

Flow Rate: 1.75 GPM



Meets the applicable requirements of ASME A112.18.1-2005/CSA B125.1-05, entitled "Plumbing Supply Fittings"

WATERMARK DESIGNS 8/26/2019

350 Dewitt Ave Brooklyn NY 11207 USA T 718 257 2800 F 718 257 2144 info@watermark-designs.com